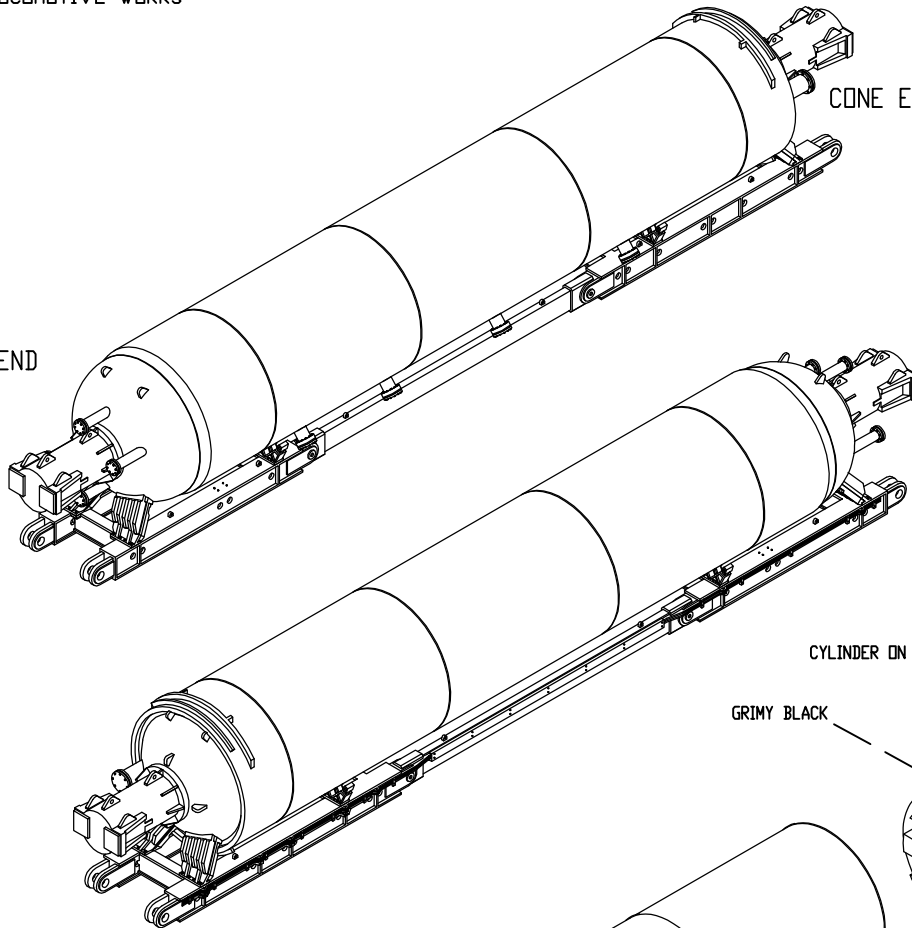




DOME END

CONE END



CYLINDER ON END OF CONE : LT GRAY

GRIMY BLACK

LT GRAY

LOAD OVERALL COLOR : GRIMY BLACK

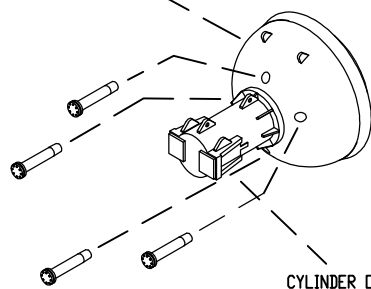
qty 1  $\varnothing$  0.135" (#29 DRILL)

qty 4  $\varnothing$  0.100" (#38 DRILL)

qty 4  $\varnothing$  0.075" (#48 DRILL)

GRIMY BLACK

THESE 4 FITTINGS : GRIMY BLACK  
 OUTER ROUND FACE PLATE : LT GRAY



CYLINDER ON END OF DOME : LT GRAY

PLUMBING PARTS HOLE SUGGESTIONS:  
 CAST HOLES MAY NOT BE PRECISION.  
 THEREFORE A DRILL CAN 'CLEAN' IT ROUND AND TRUE.  
 TO MAKE ONE SMALLER FOR A TIGHTER FIT, TAKE A  
 SMALL AMOUNT OF AC ON THE END OF A SMALL TOOL  
 AND SWIRL IT IN THE HOLE TO COAT THE WALL.  
 USE ACCELERATOR AND LET IT HARDEN.  
 THEN RUN THE DESIRED PROPER DRILL SIZE THRU

SMALL PARTS ARE A CHOKING HAZARD TO CHILDREN  
 NOT INTENDED FOR AGES UNDER 14

BUILD THE LOAD FIRST, AT LEAST THE TANK AND ENDS TO USE AS A LOCATOR FOR THE SUPPORT ENDS ON THE FRAME.  
 MOUNT THE SIDE SUPPORTS (4) TO THE FRAME FIRST. THIS WILL ESTABLISH THE LOAD HEIGHT. LOAD HEIGHT IS  
 VERY IMPORTANT SO THAT THE LOAD IS NOT UP IN THE AIR ON THE END SUPPORTS.  
 THE END SUPPORTS MAY NEED SOME TRIMMING OR FILING ON THE FACES  
 SO THEY FIT FLUSH TO THE LOAD ENDS.

SCHNABEL REFERENCE WEBSITES :  
 SBILL.COM (sbill.com)  
 SOUTHERNRAILFAN.NET/SCHNABEL

CHECK [WWW.ELGINLOCOMOTIVEWORKS.COM](http://WWW.ELGINLOCOMOTIVEWORKS.COM) FOR BUILD AID AND DETAILING TIPS.



LOAD STRAPS : MAKE 2  
 INSTALL AFTER LOAD IS MOUNTED TO FRAME  
 STRAPS ARE RED OR RED OXIDE  
 MAY BE 0.005 X 1/16 STYRENE OR TAPE  
 ATTACH TO ENDS OF SIDE MOUNTS

CABLE TRAY ON SIDE : LT GRAY  
 OR GALVANIZED COLOR

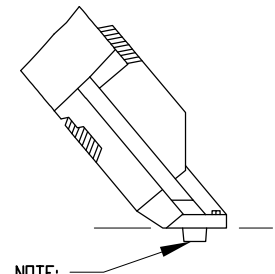
FRAME OVERALL COLOR : RED OXIDE

BOLTS : BLACK  
 OR GRIMY BLACK

LH

RH

BOTTOMS OF THESE HOLES  
 COULD BE PAINTED BLACK  
 SO THAT THEY APPEAR TO  
 BE DEEPER OR THRU HOLES.



NOTE:

IT MAY HELP TO LEVEL AND POSITION  
 THE LOAD IF THESE GUIDE PINS ARE REMOVED.  
 AT EITHER THE DOME END, OR CONE END,  
 OR TRIM THE OUTER EDGE OF THE PINS ON BOTH ENDS  
 TO ALLOW TRAVEL FORWARD OR AFT ON THE  
 TENSIONER FRAME.

MAKE SURE THE LOAD IS CENTERED, END TO END  
 SO THAT THE FLATS AT THE LOAD ENDS ARE  
 THE SAME DISTANCE FROM THE MOUNTING HOLES.  
 YOU MAY STILL NEED TO SHIM OR FILE THE LOAD ENDS  
 SO THE LOAD AND MAIN ARMS RIDE LEVEL.

RH

LH

ATTACHING LOAD TO SCHNABEL MAIN ARM

USE DIVOTS AS  
 DRILL GUIDES



Side support qty 4



Right Hand support qty 2



Left Hand support qty 2

USE PINS OR SCREWS :  
 FOR SCREW REMOVABLE LOAD, USE #0-80  
 DRILL MAIN ARMS  $\varnothing 0.047$  (3/64) THRU  
 AND TAP MAIN ARMS.  
 FOR PERMANENT OR REMOVABLE PINS  
 IT IS UP TO YOU WHAT SIZE AND MATERIAL.

SMALL PARTS ARE A CHOKING HAZARD TO CHILDREN  
 NOT INTENDED FOR AGES UNDER 14

SCHNABEL REFERENCE WEBSITES :  
 SBILL.COM (sbill.com)  
 SOUTHERNRAILFAN.NET/SCHNABEL

CHECK [WWW.ELGINLOCOMOTIVEWORKS.COM](http://WWW.ELGINLOCOMOTIVEWORKS.COM) FOR BUILD AID AND DETAILING TIPS.